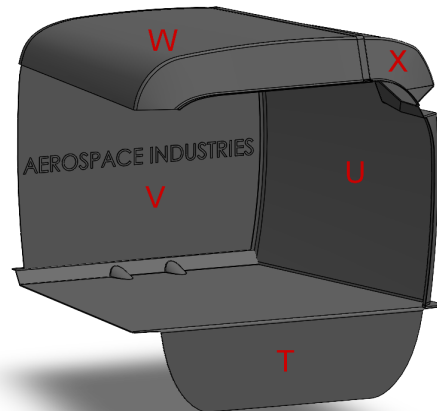
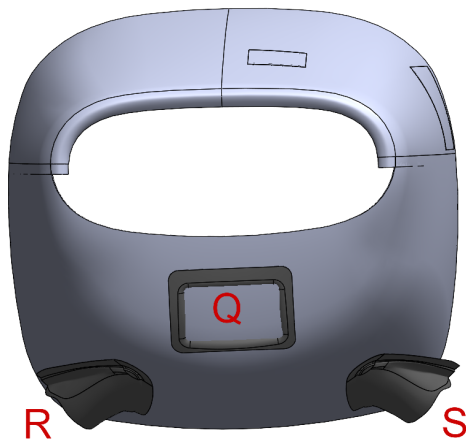
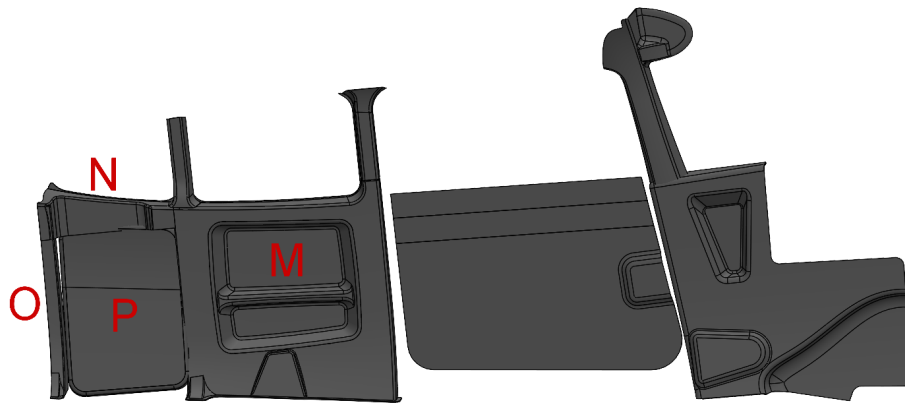
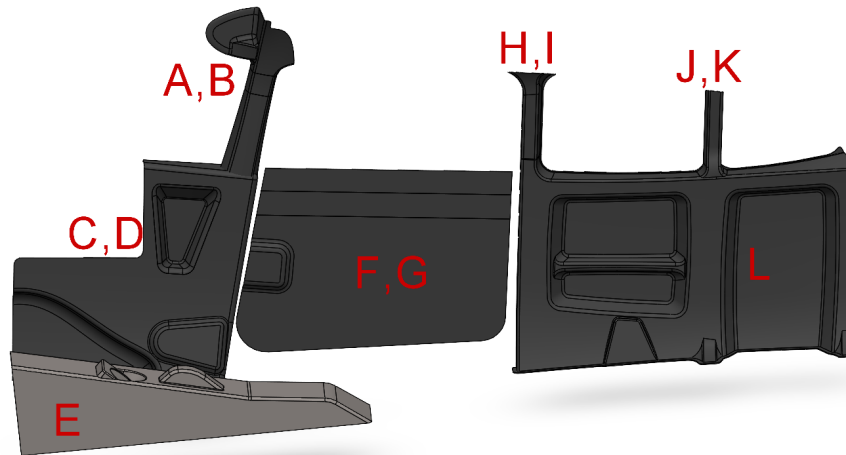


Part Labels



Fitment:

Parts A-P: All Cessna 180's and 185's

Part Q: Cessna 180C and up, all Cessna 185's

Parts R+S: Cessna 180C and up, all Cessna 185's

Parts T-X: Cessna 180's and 185's with extended baggage



10900 W 120th Ave. Suite B-1 Broomfield, CO 80021

www.Aerospace-Industries.com Phone:303-818-7042 Email:Cole@Aerospace-Industries.com

Item	Part Number	Quantity	Description	Price
A	185-001L	1	Front Door Post	\$300
B	185-001R	1	Front Door Post	\$300
C	185-007L	1	Boot Cowl Panel	\$700
D	185-007R	1	Boot Cowl Panel	\$700
E	185-003	1	Center Tunnel	\$1,300
F	185-006R	1	Door Panel	\$600
G	185-006L	1	Door Panel	\$600
H	185-004R	1	Rear Door Post	\$150
I	185-004L	1	Rear Door Post	\$150
J	185-005R	1	Rear Window Post	\$150
K	185-005L	1	Rear Window Post	\$150
L	185-002/185-102	1	Right Main Panel	\$2,500
M	185-008/185-108	1	Left Main Panel	\$1,550
N	185-010	1	Above Baggage Door	\$200
O	185-011	1	Rear Vertical	\$250
P	185-009	1	Baggage Door Cover	\$400
Q	185-023	1	Air Filter Trim Ring	\$350
R	185-017	1	Exhaust Fairing Right	\$500
S	185-018	1	Exhaust Fairing Left	\$500
T	185-012	1	Extended Baggage Floor Cover	\$1,000
U	185-013R/185-013L	2	Extended Baggage Wall Panels	\$750/ea
V	185-014	1	Aft Bulkhead	\$500
W	185-016	1	Extended Baggage Ceiling (L)	\$500
X	185-015	1	Extended Baggage Ceiling (S)	\$200



10900 W 120th Ave. Suite B-1 Broomfield, CO 80021

www.Aerospace-Industries.com Phone:303-818-7042 Email:Cole@Aerospace-Industries.com

Order Form

Required Information:

Make, Model, Year:

N-Number:

Final Colors (Include all details, Color Number, Name, and catalog if applicable)

Primary Color:

Secondary Color:

Tertiary Color:

Additional Colors/Comments:

Tunnel Accessories (Trim wheels, handles, fuel selector):

Fuel Selector Information (Gal/Side, location of Fuel shut off):

Which seats will be fitted into the back of the Plane?

Bench Seats

Jump Seats

Add a layer of E-glass to the back of Panels? This reduces the chances of galvanic corrosion, and adds minimal weight.

Yes, add.

Not requested

Extended Baggage (Battery door style, protruded or flush with floor):

Exhaust Fairing (Co-pilot, or Dual exit):

Windows (one or two rear windows):

Approval Date: _____



10900 W 120th Ave. Suite B-1 Broomfield, CO 80021

www.Aerospace-Industries.com Phone:303-818-7042 Email:Cole@Aerospace-Industries.com

Item	Part Number	Quantity	Description	Check to Order
A	185-001L	1	Front Door Post	
B	185-001R	1	Front Door Post	
C	185-007L	1	Boot Cowl Panel	
D	185-007R	1	Boot Cowl Panel	
E	185-003	1	Center Tunnel	
F	185-006R	1	Door Panel	
G	185-006L	1	Door Panel	
H	185-004R	1	Rear Door Post	
I	185-004L	1	Rear Door Post	
J	185-005R	1	Rear Window Post	
K	185-005L	1	Rear Window Post	
L	185-002/185-102	1	Right Main Panel	
M	185-008/185-108	1	Left Main Panel	
N	185-010	1	Above Baggage Door	
O	185-011	1	Rear Vertical	
P	185-009	1	Baggage Door Cover	
Q	185-023	1	Air Filter Trim Ring	
R	185-017	1	Exhaust Fairing Right	
S	185-018	1	Exhaust Fairing Left	
T	185-012	1	Extended Baggage Floor Cover	
U	185-013R/185-013L	2	Extended Baggage Wall Panels	
V	185-014	1	Aft Bulkhead	
W	185-016	1	Extended Baggage Ceiling (L)	
X	185-015	1	Extended Baggage Ceiling (S)	

Additional Information

All Carbon Fiber Interiors are made to order and lead times will vary depending on the number of orders in queue. All Carbon fiber interiors are finished with automotive urethane 2 stage paint, and colors can be customized. These panels are extremely strong, however the paint can still be damaged much easier than the panels, use extreme caution installing, take as much time as needed to fit the panels, avoid bending the panels excessively and use minimal force when trimming the parts. Edges are prone to having the paint chip so we include an edge trim to cover up any potential chips during installation, and to avoid anything hitting the edges to possibly chip off paint in these more vulnerable areas. We will also include a variety of hardware for installation, a burn cert, and tools useful for locating holes in the airframe for bolts/screws. All of our panels are made by hand in Broomfield, Colorado and no parts will be outsourced for manufacturing. Upon ordering please fill out and include the order form above (pages 3 and 4), we require a 50% deposit due upon time of order, and final payment any time prior to shipping the parts. The process will begin with determining colors and we will make a digital mock up of the paint scheme for approval.

No two Cessnas are the same, each plane has its own differences that make it unique. This is a challenge for aftermarket parts as we do our best to average out these differences however some trimming may be required to fit certain areas. This material is very easy to work with and trims great with a Dremel, and diamond cutting wheel, small changes can also be made by sanding the material down.

Use caution when trimming as excessive force can cause paint to chip, small chips along edges will likely be covered up with the included leather edge trim material.

How to drill: USE APPROPRIATE DUST CONTAINMENT SYSTEM!

Start by locating the holes you would like to use, apply a layer of the gum tape supplied to the back of the panels in the approximate location of the holes in the airframe, add something to prevent that tape from sticking to the airframe (water, dust, powdered athletes foot spray) then install the panels and press firmly in locations of holes. The tape will stay on the panels and be indented where the holes are. Drill a small 1/8" pilot hole then drill to size.

How to Trim: USE APPROPRIATE DUST CONTAINMENT SYSTEM!

Use a dremel with a diamond wheel to take off large quantities and ensure all dust is being captured by a vacuum while cutting. For small changes you can also sand away areas of the material using 80 grit sandpaper followed by 220 grit to smooth out the edge. We recommend wet sanding when doing this to prevent dust entering the air.

The plane owner is responsible for the decision to fit these panels, and we recommend having an A/I or A&P who's experienced with installing interiors performs the installation.